

## Certificate of Analysis

**Product Name:** DAPK Substrate Peptide

**Cat. No.:** A4469

**Batch No.:** 1

### Physical and Chemical Properties

**Batch Molecular Formula:** C70H115N25O17

**Batch Molecular Weight:** 1578.82

**Purity:** >98%

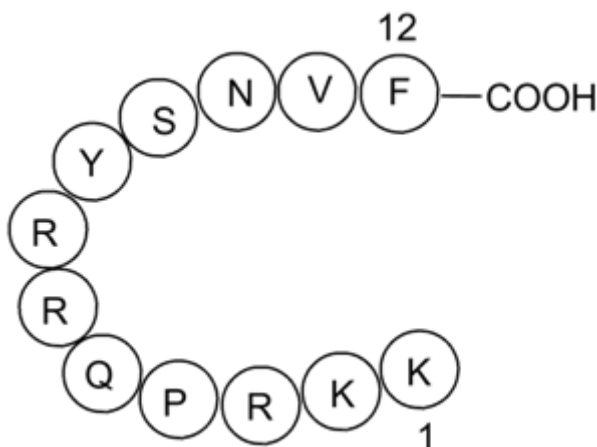
**Cas No.:** 386769-53-5

### Analytical Data

**HPLC:** Shows Min 98% purity

**Mass Spectrum:** Consistent with structure

### Structure



Caution

**FOR RESEARCH PURPOSES ONLY.**

**NOT FOR HUMAN, VETERINARY DIAGNOSTIC OR THERAPEUTIC USE.**

**APEX BIO Technology**

**[www.apexbt.com](http://www.apexbt.com)**

7505 Fannin Street, Suite 410, Houston, TX 77054.

Tel: +1-832-696-8203 | Fax: +1-832-641-3177 | Email: [info@apexbt.com](mailto:info@apexbt.com)