

Certificate of Analysis

Product Name: Bax inhibitor peptide, negative control

Cat. No.: A4462

Batch No.: 1

Physical and Chemical Properties

Batch Molecular Formula: C₂₈H₅₂N₆O₆S

Batch Molecular Weight: 600.82

Purity: >98%

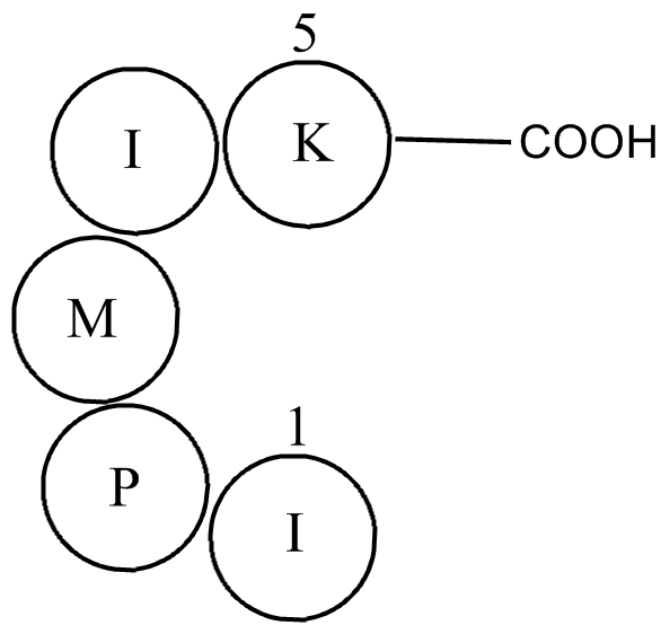
Cas No.: 1315378-74-5

Analytical Data

HPLC: Shows Min 98% purity

Mass Spectrum: Consistent with structure

Structure



Caution

FOR RESEARCH PURPOSES ONLY.

NOT FOR HUMAN, VETERINARY DIAGNOSTIC OR THERAPEUTIC USE.

APExBIO Technology

www.apexbt.com

7505 Fannin street, Suite 410, Houston, TX 77054.

Tel: +1-832-696-8203 | Fax: +1-832-641-3177 | Email: info@apexbt.com