

Certificate of Analysis

Product Name: Scrambled 10Panx

Cat. No.: A2701

Batch No.: 1

Physical and Chemical Properties

Batch Molecular Formula: C₅₈H₇₉N₁₅O₁₆

Batch Molecular Weight: 1242.37

Purity: >98%

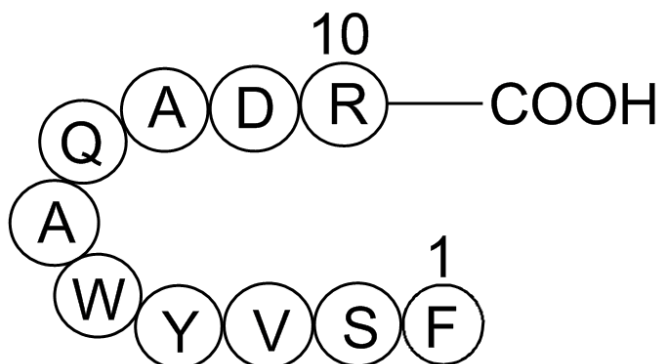
Cas No.: 1315378-72-3

Analytical Data

HPLC: Shows Min 98% purity

Mass Spectrum: Consistent with structure

Structure



Caution

FOR RESEARCH PURPOSES ONLY.

NOT FOR HUMAN, VETERINARY DIAGNOSTIC OR THERAPEUTIC USE.

APEX BIO Technology

www.apexbt.com

7505 Fannin Street, Suite 410, Houston, TX 77054.

Tel: +1-832-696-8203 | Fax: +1-832-641-3177 | Email: info@apexbt.com