

**Product Name:** Epidermal growth factor receptor (994-1002) acetyl/amide

Catalog No.: A1133

Batch No.: 1

## 1. PHYSICAL AND CHEMICAL PROPERTIES

**Batch Molecular Formula:** C<sub>51</sub>H<sub>76</sub>N<sub>14</sub>O<sub>15</sub>S

**Batch Molecular Weight:** 1157.3

**Purity:** >98%

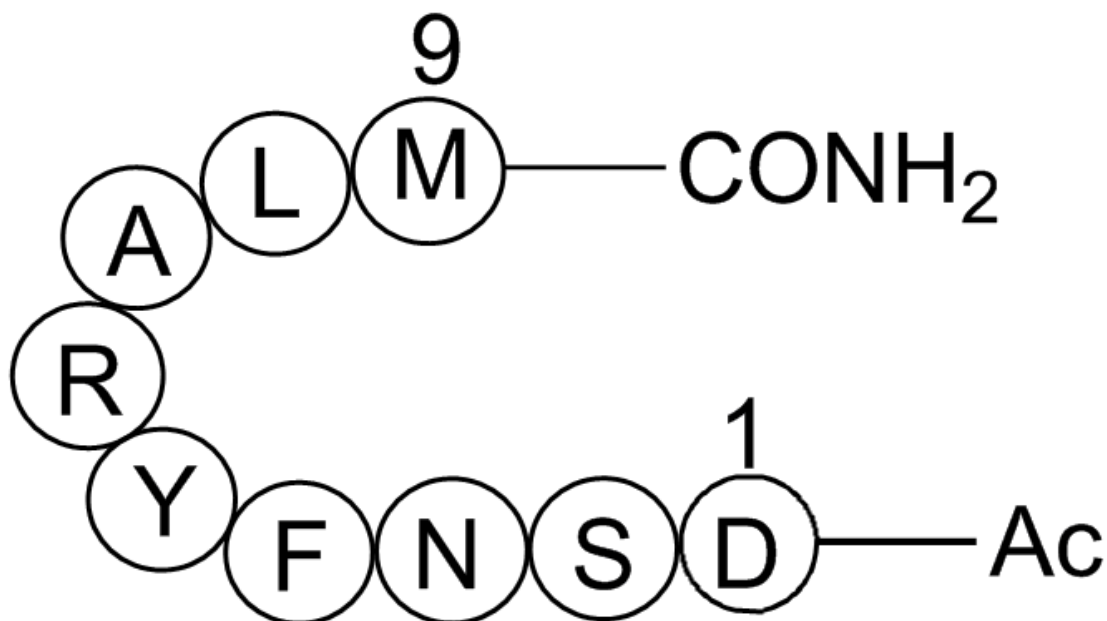
**Cas No.:** N/A

## 2. ANALYTICAL DATA

**HPLC:** Shows Min 98% purity

**Mass Spectrum:** Consistent with structure

## 3. Structure



Caution - Not Fully Tested • Research Use Only • Not For Human or Veterinary Use

ApexBio Technology LLC

Tel: +1-(832)696-8203 Fax: +1-832-641-3177 Email: [sales@apexbt.com](mailto:sales@apexbt.com)

[www.apexbt.com](http://www.apexbt.com)