

Product Name: BNP (1-32), human

Catalog No.: A1105

Batch No.: 1

1. PHYSICAL AND CHEMICAL PROPERTIES

Batch Molecular Formula: C₁₄₃H₂₄₄N₅₀O₄₂S₄

Batch Molecular Weight: 3464.04

Purity: >98%

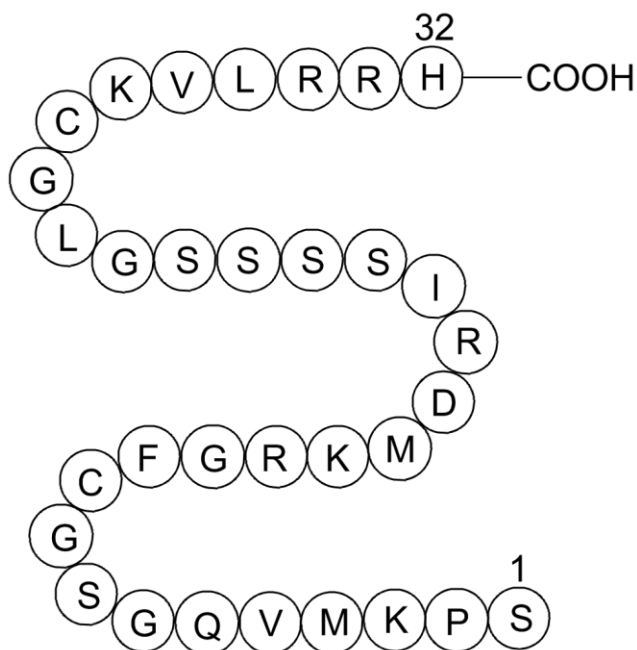
Cas No.: 114471-18-0

2. ANALYTICAL DATA

HPLC: Shows Min 98% purity

Mass Spectrum: Consistent with structure

3. Structure



Caution - Not Fully Tested • Research Use Only • Not For Human or Veterinary Use

ApexBio Technology LLC

Tel: +1-(832)696-8203

Fax: +1-832-641-3177

Email: sales@apexbt.com

www.apexbt.com