

**Product Name:** egg white lysozyme (19-36) [Gallus gallus]

**Catalog No.:** A1065

**Batch No.:** 1

## 1. PHYSICAL AND CHEMICAL PROPERTIES

**Batch Molecular Formula:**  $C_{86}H_{144}N_{28}O_{23}S_2$

**Batch Molecular Weight:** 2002.37

**Purity:** >97%

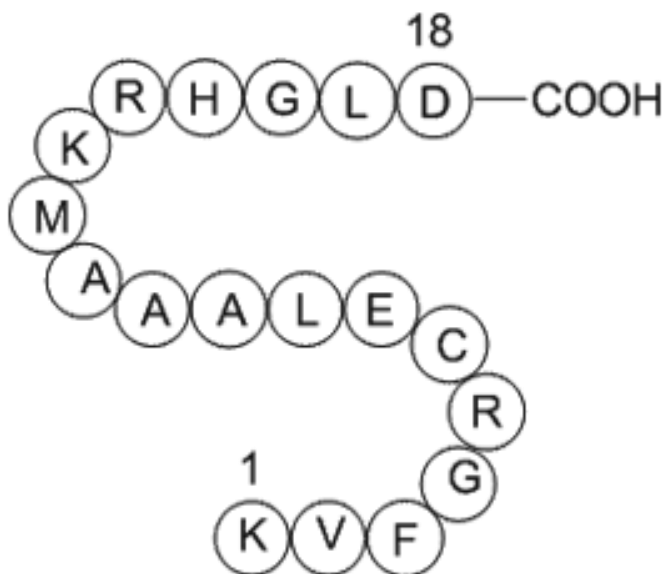
**Cas No.:** N/A

## 2. ANALYTICAL DATA

**HPLC:** Shows Min 97% purity

**Mass Spectrum:** Consistent with structure

## 3. Structure



Caution - Not Fully Tested • Research Use Only • Not For Human or Veterinary Use

ApexBio Technology LLC

Tel: +1-(832)696-8203 Fax: +1-832-641-3177 Email: [sales@apexbt.com](mailto:sales@apexbt.com)

[www.apexbt.com](http://www.apexbt.com)