

Certificate of Analysis

Product Name: Gap 27

Cat. No.: A1045

Batch No.: 1

Physical and Chemical Properties

Batch Molecular Formula: C60H101N15O17

Batch Molecular Weight: 1304.55

Purity: >97%

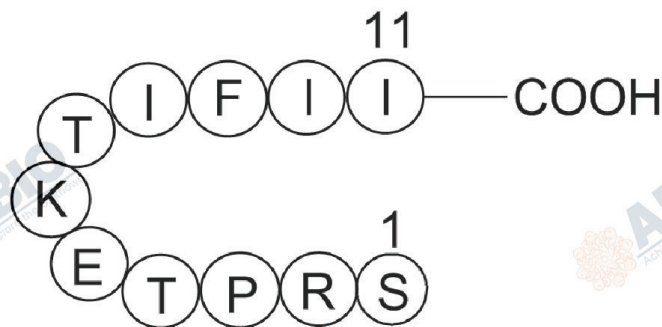
Cas No.: 198284-64-9

Analytical Data

HPLC: HPLC

Mass Spectrum: Consistent with structure

Structure



Caution

FOR RESEARCH PURPOSES ONLY.

NOT FOR HUMAN, VETERINARY DIAGNOSTIC OR THERAPEUTIC USE.



APExBIO Technology



www.apexbt.com

7505 Fannin street, Suite 410, Houston, TX 77054.

Tel: +1-832-696-8203 | Fax: +1-832-641-3177 | Email: info@apexbt.com

