

## Certificate of Analysis

Product Name: Angiotensin (1-7)

Cat. No.: A1041

Batch No.: 26001

### Physical and Chemical Properties

Batch Molecular Formula:  $C_{41}H_{62}N_{12}O_{11}$

Batch Molecular Weight: 899

Purity: >99%

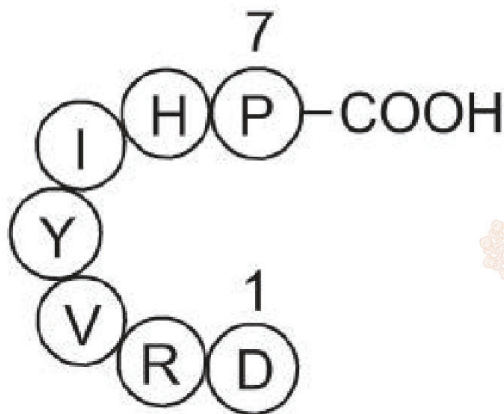
Cas No.: 51833-78-4

### Analytical Data

HPLC: HPLC

Mass Spectrum: Consistent with structure

### Structure



# Caution

**FOR RESEARCH PURPOSES ONLY.**

**NOT FOR HUMAN, VETERINARY DIAGNOSTIC OR THERAPEUTIC USE.**



**APExBIO Technology**



**[www.apexbt.com](http://www.apexbt.com)**

7505 Fannin street, Suite 410, Houston, TX 77054.

Tel: +1-832-696-8203 | Fax: +1-832-641-3177 | Email: [info@apexbt.com](mailto:info@apexbt.com)

