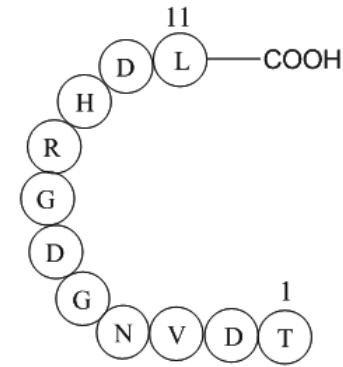


## Product Data Sheet

# Platelet Membrane Glycoprotein IIB Peptide (296-306)

**Cat. No.:** A1018  
**CAS No.:**  
**Formula:** C47H75N17O20  
**M.Wt:** 1198.2  
**Synonyms:** H2N-Thr-Asp-Val-Asn-Gly-Asp-Gly-Arg-His-A  
 sp-Leu-OH  
**Target:** Others  
**Pathway:** Glycoprotein  
**Storage:** Store at -20°C



## Solvent & Solubility

≥119.8 mg/mL in DMSO; ≥5 mg/mL in EtOH with ultrasonic; ≥50 mg/mL in H2O

In Vitro

Preparing Stock Solutions	Solvent		Mass		
	Concentration		1mg	5mg	10mg
	1 mM		0.8346 mL	4.1729 mL	8.3459 mL
	5 mM		0.1669 mL	0.8346 mL	1.6692 mL
	10 mM		0.0835 mL	0.4173 mL	0.8346 mL

Please refer to the solubility information to select the appropriate solvent.

## Biological Activity

Shortsummary

Inhibits platelet aggregation

IC<sub>50</sub> & Target

In Vitro

### Cell Viability Assay

Preparation method:

In Vivo

### Animal experiment

Applications:

## Product Citations

See more customer validations on [www.apexbt.com](http://www.apexbt.com).

## References

## Caution

**FOR RESEARCH PURPOSES ONLY.**

**NOT FOR HUMAN, VETERINARY DIAGNOSTIC OR THERAPEUTIC USE.**

*Specific storage and handling information for each product is indicated on the product datasheet. Most APExBIO products are stable under the recommended conditions. Products are sometimes shipped at a temperature that differs from the recommended storage temperature. Short-term storage of many products are stable in the short-term at temperatures that differ from that required for long-term storage. We ensure that the product is shipped under conditions that will maintain the quality of the reagents. Upon receipt of the product, follow the storage recommendations on the product data sheet.*

**APExBIO Technology**

[www.apexbt.com](http://www.apexbt.com)

7505 Fannin street, Suite 410, Houston, TX 77054.

Tel: +1-832-696-8203 | Fax: +1-832-641-3177 | Email: [info@apexbt.com](mailto:info@apexbt.com)

