

Product Name: Mylopeptide-2 (MP-2)

Catalog No.: A1010

Batch No.: 1

1. PHYSICAL AND CHEMICAL PROPERTIES

Batch Molecular Formula: C₄₁H₅₇N₇O₈

Batch Molecular Weight: 775.93

Purity: >99%

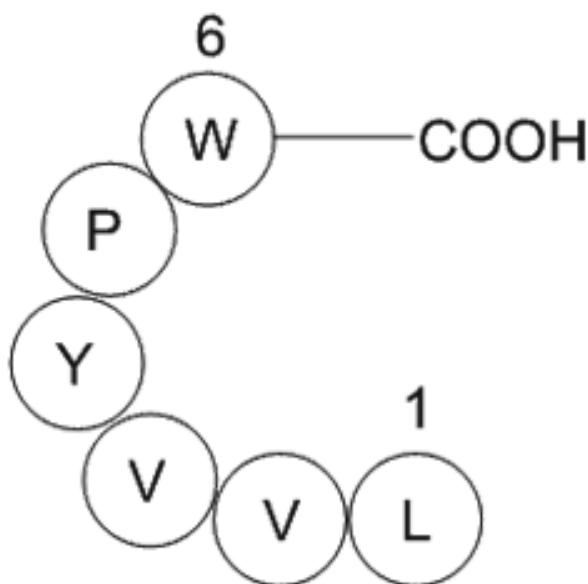
Cas No.: N/A

2. ANALYTICAL DATA

HPLC: Shows Min 99% purity

Mass Spectrum: Consistent with structure

3. Structure



Caution - Not Fully Tested • Research Use Only • Not For Human or Veterinary Use

ApexBio Technology LLC

Tel: +1-(832)696-8203

Fax: +1-832-641-3177

Email: sales@apexbt.com

www.apexbt.com