

**Product Name:** VSV-G Peptide

Catalog No.: A6009

Batch No.: 1

## 1. PHYSICAL AND CHEMICAL PROPERTIES

**Batch Molecular Formula:** C<sub>57</sub>H<sub>94</sub>N<sub>16</sub>O<sub>19</sub>S

**Batch Molecular Weight:** 1339.52

**Purity:** >99%

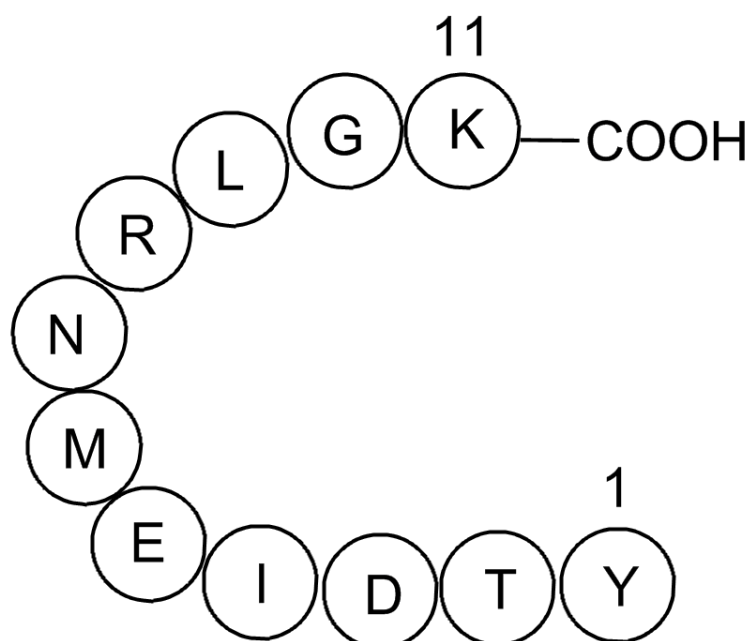
**Cas No.:** N/A

## 2. ANALYTICAL DATA

**HPLC:** Shows Min 99% purity

**Mass Spectrum:** Consistent with structure

## 3. Structure



Caution - Not Fully Tested • Research Use Only • Not For Human or Veterinary Use

ApexBio Technology LLC

Tel: +1-(832)696-8203 Fax: +1-832-641-3177 Email: [sales@apexbt.com](mailto:sales@apexbt.com)

[www.apexbt.com](http://www.apexbt.com)