

**Product Name:** V5 Epitope Tag Peptide

Catalog No.: A6005

Batch No.: 1

## 1. PHYSICAL AND CHEMICAL PROPERTIES

**Batch Molecular Formula:** C<sub>64</sub>H<sub>108</sub>N<sub>16</sub>O<sub>20</sub>

**Batch Molecular Weight:** 1421.64

**Purity:** >99%

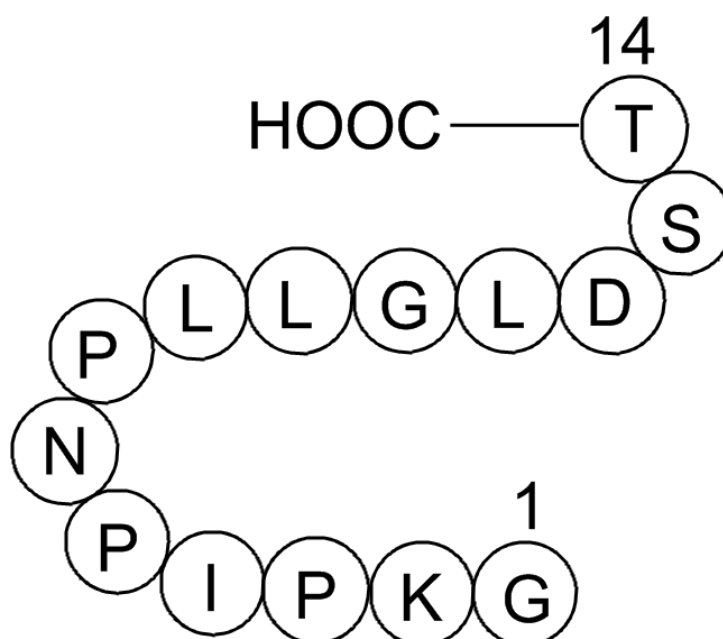
**Cas No.:** N/A

## 2. ANALYTICAL DATA

**HPLC:** Shows Min 99% purity

**Mass Spectrum:** Consistent with structure

## 3. Structure



Caution - Not Fully Tested • Research Use Only • Not For Human or Veterinary Use

ApexBio Technology LLC

Tel: +1-(832)696-8203

Fax: +1-832-641-3177

Email: [sales@apexbt.com](mailto:sales@apexbt.com)

[www.apexbt.com](http://www.apexbt.com)