

Certificate of Analysis

Product Name: V5 Epitope Tag Peptide

Cat. No.: A6005

Batch No.: 2

Physical and Chemical Properties

Batch Molecular Formula: C₆₄H₁₀₈N₁₆O₂₀

Batch Molecular Weight: 1421.64

Purity: >99%

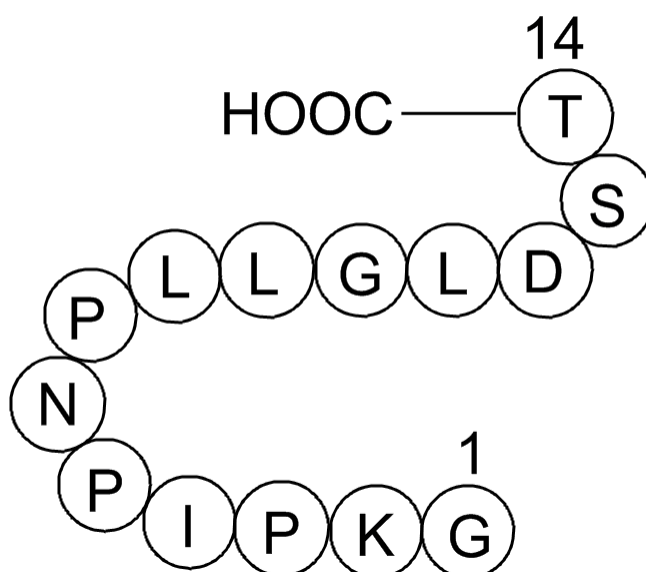
Cas No.:

Analytical Data

HPLC: HPLC

Mass Spectrum: Consistent with structure

Structure



Caution

FOR RESEARCH PURPOSES ONLY.

NOT FOR HUMAN, VETERINARY DIAGNOSTIC OR THERAPEUTIC USE.

APEX BIO Technology

www.apexbt.com

7505 Fannin Street, Suite 410, Houston, TX 77054.

Tel: +1-832-696-8203 | Fax: +1-832-641-3177 | Email: info@apexbt.com