

Certificate of Analysis

Product Name: LUTEINIZING HORMONE RELEASING HORMONE HUMAN
Cat. No.: A1147
Batch No.: 1

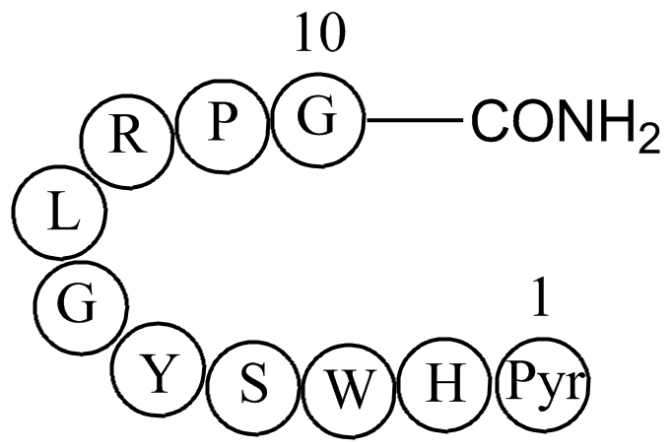
Physical and Chemical Properties

Batch Molecular Formula: C₅₅H₇₅N₁₇O₁₃
Batch Molecular Weight: 1182.29
Purity: >98%
Cas No.: 33515-09-2

Analytical Data

HPLC: HPLC
Mass Spectrum: Consistent with structure

Structure



Caution

FOR RESEARCH PURPOSES ONLY.

NOT FOR HUMAN, VETERINARY DIAGNOSTIC OR THERAPEUTIC USE.

APEXBIO Technology

www.apexbt.com

7505 Fannin street, Suite 410, Houston, TX 77054.

Tel: +1-832-696-8203 | Fax: +1-832-641-3177 | Email: info@apexbt.com