

Product Name: Amyloid Beta-Peptide (12-28) (human)

Catalog No.: A1123

Batch No.: 1

1. PHYSICAL AND CHEMICAL PROPERTIES

Batch Molecular Formula: C₈₉H₁₃₅N₂₅O₂₅

Batch Molecular Weight: 1955.2

Purity: >93%

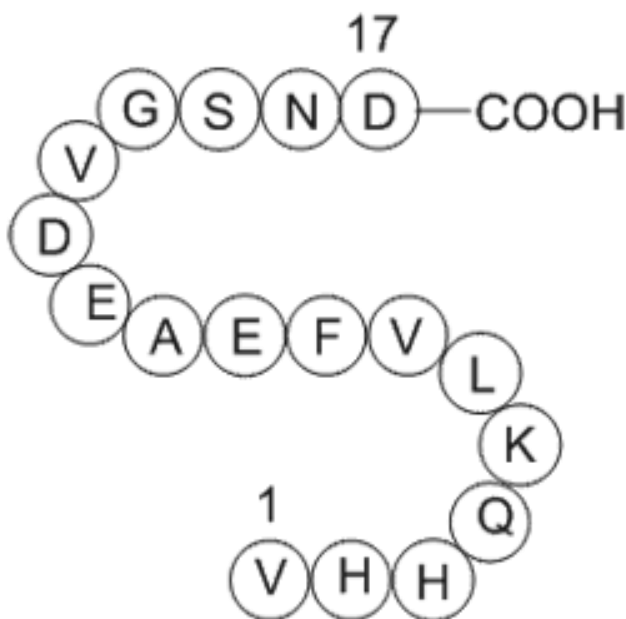
Cas No.: 107015-83-8

2. ANALYTICAL DATA

HPLC: Shows Min 93% purity

Mass Spectrum: Consistent with structure

3. Structure



Caution - Not Fully Tested • Research Use Only • Not For Human or Veterinary Use

ApexBio Technology LLC

Tel: +1-(832)696-8203

Fax: +1-832-641-3177

Email: sales@apexbt.com

www.apexbt.com