

Certificate of Analysis

Product Name: Amyloid Peptide (25-35) (human)

Cat. No.: A1039

Batch No.: 2

Physical and Chemical Properties

Batch Molecular Formula: C₄₅H₈₁N₁₃O₁₄S

Batch Molecular Weight: 1060.27

Purity: >98%

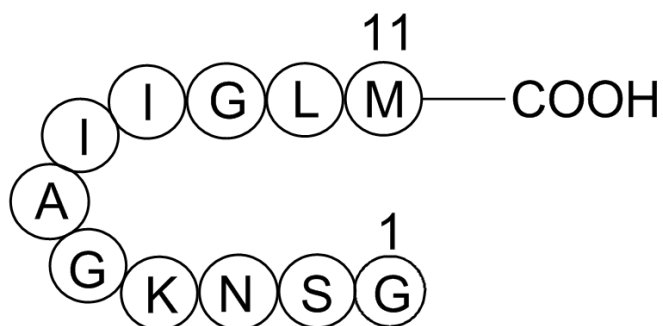
Cas No.: 131602-53-4

Analytical Data

HPLC: HPLC

Mass Spectrum: Consistent with structure

Structure



Caution

FOR RESEARCH PURPOSES ONLY.

NOT FOR HUMAN, VETERINARY DIAGNOSTIC OR THERAPEUTIC USE.

APEX BIO Technology

www.apexbt.com

7505 Fannin Street, Suite 410, Houston, TX 77054.

Tel: +1-832-696-8203 | Fax: +1-832-641-3177 | Email: info@apexbt.com