

Product Name: Glucagon (19-29), human

Catalog No.: A1019

Batch No.: 1

1. PHYSICAL AND CHEMICAL PROPERTIES

Batch Molecular Formula: C₆₁H₈₉N₁₅O₁₈S

Batch Molecular Weight: 1352.51

Purity: >95%

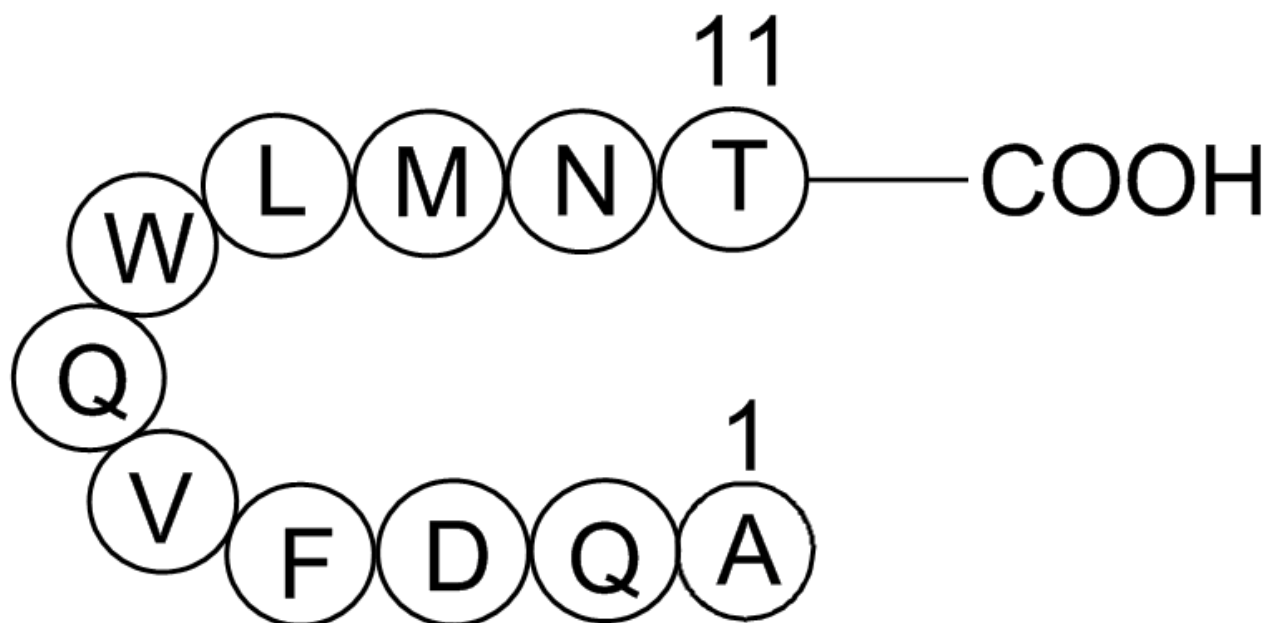
Cas No.: 64790-15-4

2. ANALYTICAL DATA

HPLC: Shows Min 95% purity

Mass Spectrum: Consistent with structure

3. Structure



Caution - Not Fully Tested • Research Use Only • Not For Human or Veterinary Use

ApexBio Technology LLC

Tel: +1-(832)696-8203

Fax: +1-832-641-3177

Email: sales@apexbt.com

www.apexbt.com