

Certificate of Analysis

Product Name: Dynorphin (2-17), amide, porcine

Cat. No.: A1012

Batch No.: 1

Physical and Chemical Properties

Batch Molecular Formula: C₉₀H₁₄₇N₃O₂₀

Batch Molecular Weight: 1983.33

Purity: >98%

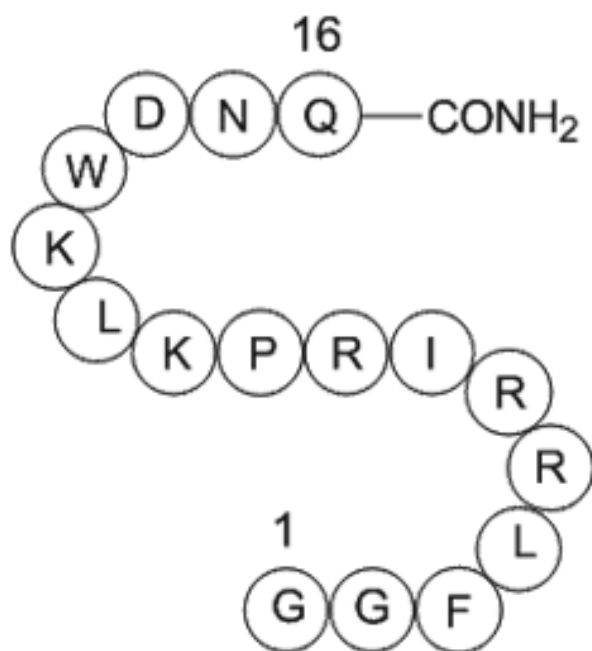
Cas No.:

Analytical Data

HPLC: Shows Min 98% purity

Mass Spectrum: Consistent with structure

Structure



Caution

FOR RESEARCH PURPOSES ONLY.

NOT FOR HUMAN, VETERINARY DIAGNOSTIC OR THERAPEUTIC USE.

APEX BIO Technology

www.apexbt.com

7505 Fannin Street, Suite 410, Houston, TX 77054.

Tel: +1-832-696-8203 | Fax: +1-832-641-3177 | Email: info@apexbt.com